



# SCM20ASL

## 2-Way Active Stand-Mount Loudspeaker

### Overview

Compact sealed cabinet

Proprietary ATC 1"/25mm 'S-Spec' H.F. driver

Proprietary ATC 6"/150mm 'SL' bass driver

On-board ATC active 250W 'Amp Pack'

Class A/B MOSFET amplifiers, 200W mid-bass & 50W high-frequency

2nd order Linkwitz-Riley active crossovers

User adjustable input sensitivity & bass shelf controls

### Acoustic specifications

Mid/Bass driver: 1 x 150mm/6", SB75-150SL 8Ω

High Frequency Driver: 1 x 25mm/1", SH25-76S 6Ω

Low Frequency Cut-off: 55Hz (-6dB, anechoic)

High Frequency Cut-off: 25kHz (-6dB)

Matched Response: +/-0.5dB

Crossover Point: 2.2kHz

MaxSPL: 108dB continuous, 114dB peak (per pair; IEC Weighted Pink Noise, 1m, anechoic).

System Sensitivity: 85dBC SPL (@1m, pink noise, -18dBu, 1V input sens. 0dB bass boost).

### Electronic specifications

Balanced Input: 1 x Rear Panel Mounted Female XLR, pin 2 hot

Input Impedance: 20kΩ (differential)

Input CMRR: >60dB at (10kHz)

Input Sensitivity: 2.2dBu/1Vrms for full power

Input Sensitivity Control: -6dB switchable, -6dB variable. Total adjustment 2.2dBu/1Vrms to 14.2dBu/4Vrms

Bass Shelf: -2dB to +3dB, switchable in 1dB steps

Crossover Filters: 2nd Order Linkwitz Riley

Amplifier type: Grounded Source MOSFET, class A/B, convection cooled

Output Power: Bass 200W (8Ω), H.F. 50W (8Ω)

THD+N: <0.0017%/-95dB (1kHz, 1dB below rated power; 90kHz BW)

Frequency Response: <2Hz to >200kHz (-3dB)

Limiter: ATC Active FET Momentary Gain Reduction

Electronic amp protection: Amplifier d.c. offset and over-temperature (both indicated by rear panel LED)

Mains Input: 220-230V or 115V, factory set. Please observe panel markings and labels!

Power Consumption: *Idle* 26W/41VA. *1/8th Power* 116W/116VA. *Full Power* 312W/398VA

Heat Output: *Idle* 89BTU/hr, *1/8th Power* 311BTU/hr, *Full Power* 382BTU/hr

### Physical specifications

See following page



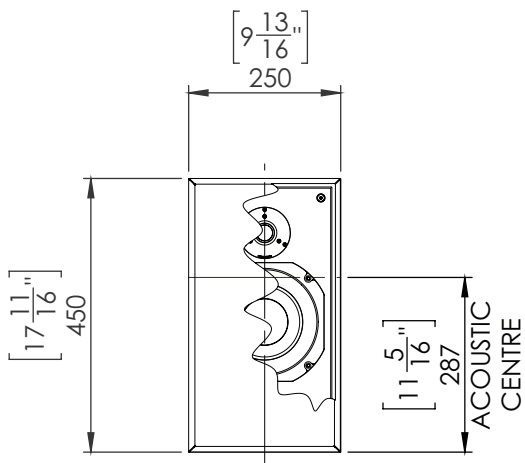
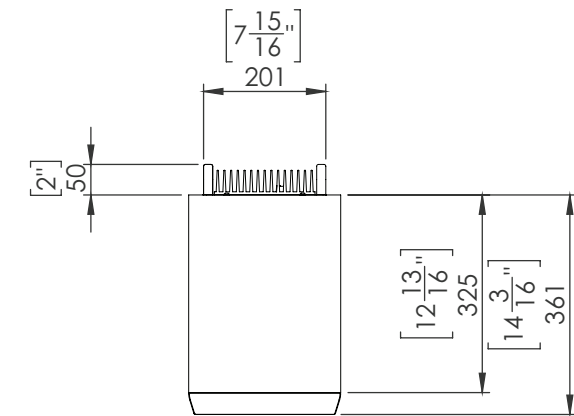
ATC reserve the right to change specifications without prior notice  
 Acoustic Transducer Co. Is a trading name and ATC is the registered Trade Mark of Loudspeaker Technology Ltd.

# SCM20ASL

## 2-Way Active Stand-Mount Loudspeaker

Net Weight: 24.3kgs/53.6lbs

Dimensions...



SCM20ASL

